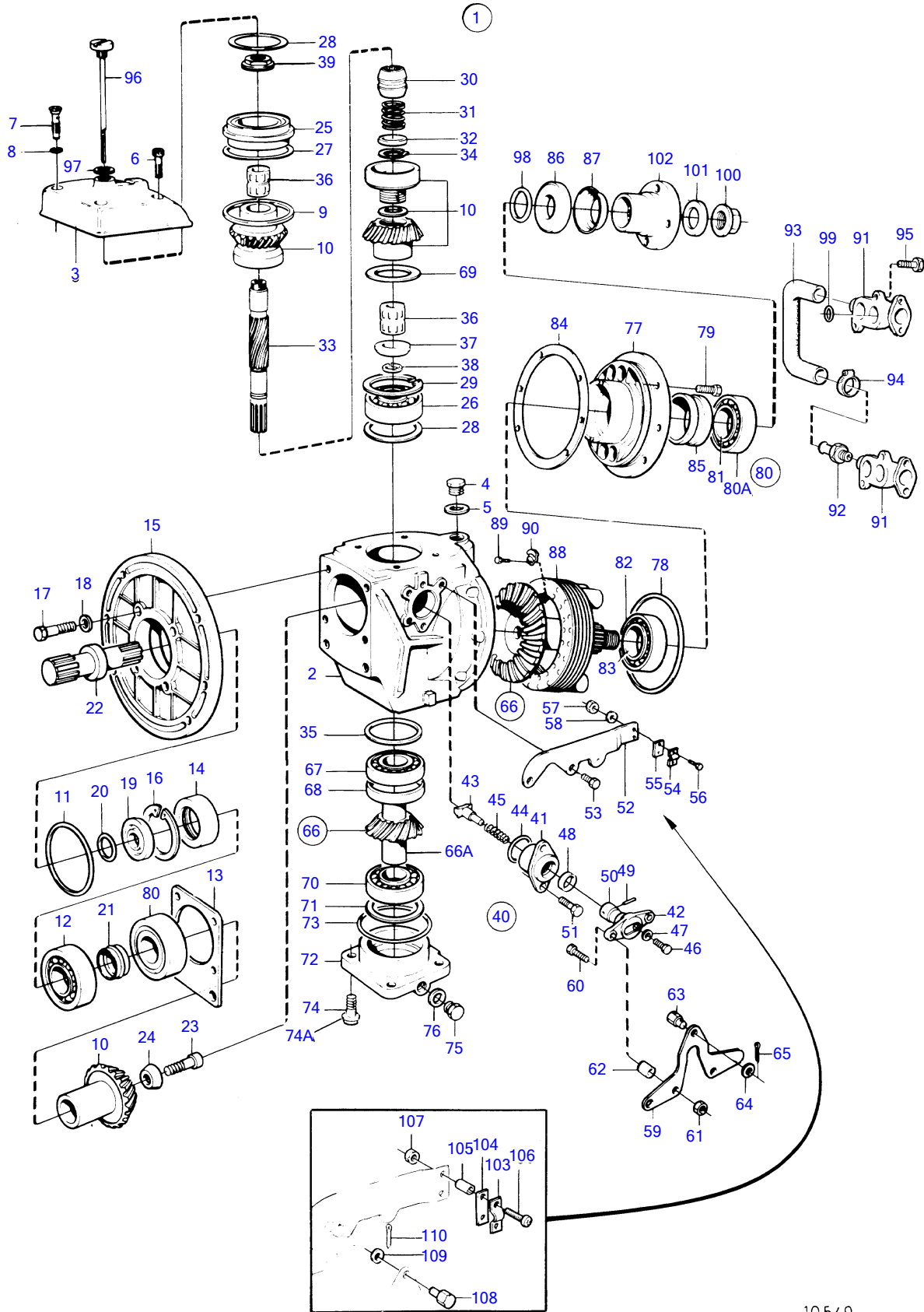


MS5B



10549

MS5B

REF	PART NO.	QTY	DESCRIPTION	SEE SEC.	NOTES
1	854906	1	Transmission		Ratio 1.94:1
2	(853374)	1	• Gear housing		Obsolete part
3	(854676)	1	• Gear housing cover		Obsolete part
4	814179	1	• Plug		
5	897682	1	• Gasket		
6	956585	3	• Hex. socket screw		
7	814643	1	• Hollow screw		
8	955989	1	• O-ring		
9	832669	1	• Gasket		
10		1	• Gear set		
11	967344	1	• O-ring		
12	183247	1	• Roller bearing		
13	853063	X	• Adjusting washer		TH=0,10mm
	853064	X	• Adjusting washer		TH=0,15mm
	853065	X	• Adjusting washer		TH=0,35mm
14	853670	1	• Sealing ring		
15	853161	1	• Bearing housing		
16	914538	1	• Snap ring		
17	967636	6	• Hex. socket screw		
18	949523	6	• Washer		
19	832675	1	• Washer		
20	956000	1	• O-ring		
21	853484	1	• Pretensioning sleeve		
22	850275	1	• Stub axle		
23	854201	1	• Screw		
24	853026	1	• Washer		
25	854670	1	• Ball bearing		
26	853542	1	• Ball bearing		
27	943870	X	• Shim		TH=0,20mm
	946179	X	• Shim		TH=0,10mm
	943869	X	• Shim		TH=0,05mm
28	943866	X	• Shim		TH=0,10mm
	943867	X	• Shim		TH=0,20mm
	967557	X	• Shim		TH=0,30mm
	943868	X	• Shim		TH=0,40mm
29	850433	1	• Snap ring		
30	854222	1	• Sliding sleeve		
			Bulletin P-44-1-8	P-44-1-8-EN	Shift mechanism, shift cone and shoe
			Bulletin P-44-1-18	P-44-1-18-EN	Shift Cone
31	813970	1	• Spring		
32	854126	1	• Washer		
33	853900	1	• Shaft		
34	951078	1	• Snap ring		
35	42980	X	• Shim		TH=0,35mm
	42981	X	• Shim		TH=0,10mm
	944522	X	• Shim		TH=0,05mm
36	853819	2	• Needle bearing		
37	854192	1	• Spacer ring		
38	853888	2	• Lock ring		
39	854228	1	• Nut		Alt, std
	854229	1	• Nut		Alt, TH=0,2mm
	854230	1	• Nut		Alt, TH=0,4mm
	854265	1	• Nut		Alt, TH=0,6mm
40	853198	1	• Shift mechanism		
41	851662	1	• • Bearing housing		
42	3856008	1	• • Plunger		
43	839646	1	• • Dog		
44	925065	1	• • O-ring		
45	814184	1	• • Spring		
46	897711	1	• • Screw		
47	897871	X	• • Shim		
48	958838	1	• • Sealing ring		
49	942871	1	• • Clevis pin		

MS5B

REF	PART NO.	QTY	DESCRIPTION	SEE SEC.	NOTES
50	951924	1	• • Spring pin		
51	965215	2	• Flange screw		
52	853180	1	• Bracket		
53	955294	2	• Hexagon screw		
54	21471054	1	• Bracket		
55	819068	1	• Washer		
56	955246	2	• Hexagon screw		
57	946577	2	• Lock nut		
58	940090	2	• Washer		
59	853922	2	• Intermediate lever		
60	955276	2	• Hexagon screw		
61	946035	2	• Lock nut		
62	853921	2	• Spacer sleeve		
63	804312	1	• Cube		
64	955892	1	• Washer		
65	17276	1	• Split pin		
66	853907	1	• Drive gear set		Ratio 1.94:1
66A		1	• • sliding clutch		
67	181301	1	• Inner ring		
68	181302	1	• Cup		
69	949071	X	• Shim		TH=0,10mm
	949073	X	• Shim		TH=0.35mm
	949072	X	• Shim		TH=0.15mm
70	184649	1	• Roller bearing		
71	967352	X	• Shim		TH=0,05mm
	967351	X	• Shim		TH=0.15mm
	941823	X	• Shim		TH=0,10mm
	941824	X	• Shim		TH=0.20mm
	941825	X	• Shim		TH=0.40mm
72	854097	1	• Bearing cover		
73	925257	1	• O-ring		
74	946472	4	• Flange screw		
74A	941906	4	• Spring washer		
75	960629	1	• Plug		
76	947084	1	• Gasket		
77	(853366)	1	• Bearing housing		Obsolete part
78	943244	1	• O-ring		
79	963220	6	• Hexagon screw		
80	853949	2	• Roller bearing		
80A	(854165)	2	• • Cup		Obsolete part, Repl by 853949
81	(854166)	2	• • Cone		Obsolete part, Repl by 853949
82	183327	1	• Inner ring		
83	183328	1	• Cup		
84	853370	X	• Adjusting washer		TH=0,10mm
	853369	X	• Adjusting washer		TH=0.15mm
	853368	X	• Adjusting washer		TH=0.35mm
85	852696	1	• Pretensioning sleeve		
86	853757	1	• Sealing ring		
87	944530	1	• Sealing ring		
88	(853394)	1	• Oil cooler		Obsolete part
89	959187	4	• Hex. socket screw		
90	853361	2	• Retainer		
91	(854268)	2	• Connector		Obsolete part
92	969497	2	• Hose nipple		
93	854116	1	• Hose		
94	961665	2	• Hose clamp		
95	965213	4	• Flange screw		
96	839351	1	• Oil dipstick		
97	955974	1	• O-ring		
98	925063	1	• O-ring		
99	960169	4	• O-ring		
100	947855	1	• Flange lock nut		
101	850471	1	• Washer		

MS5B

REF	PART NO.	QTY	DESCRIPTION	SEE SEC.	NOTES
102	853481	1	• Flange		
103	21471054	1	• Bracket		For twin control stations.
104	819068	1	• Washer		For twin control stations.
105	853921	2	• Spacer sleeve		For twin control stations.
106	956083	2	• Cross recessed screw		For twin control stations.
107	965483	2	• Flange nut		For twin control stations.
108	804312	1	• Cube		For twin control stations.
109	955892	1	• Washer		For twin control stations.
110	17276	1	• Split pin		For twin control stations.